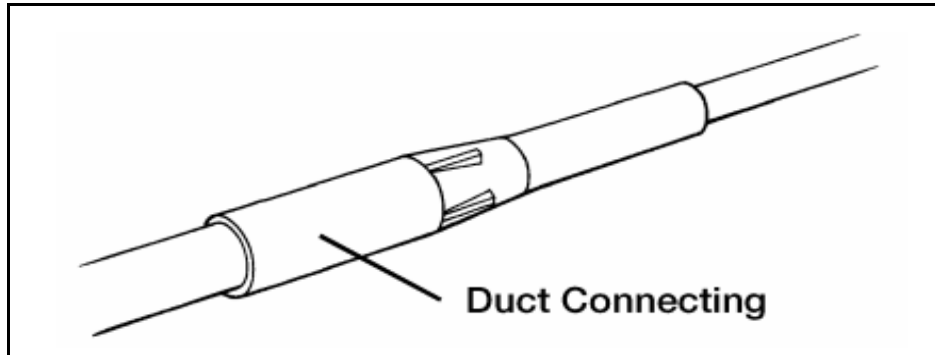


Duct Tees & Duct Connectors

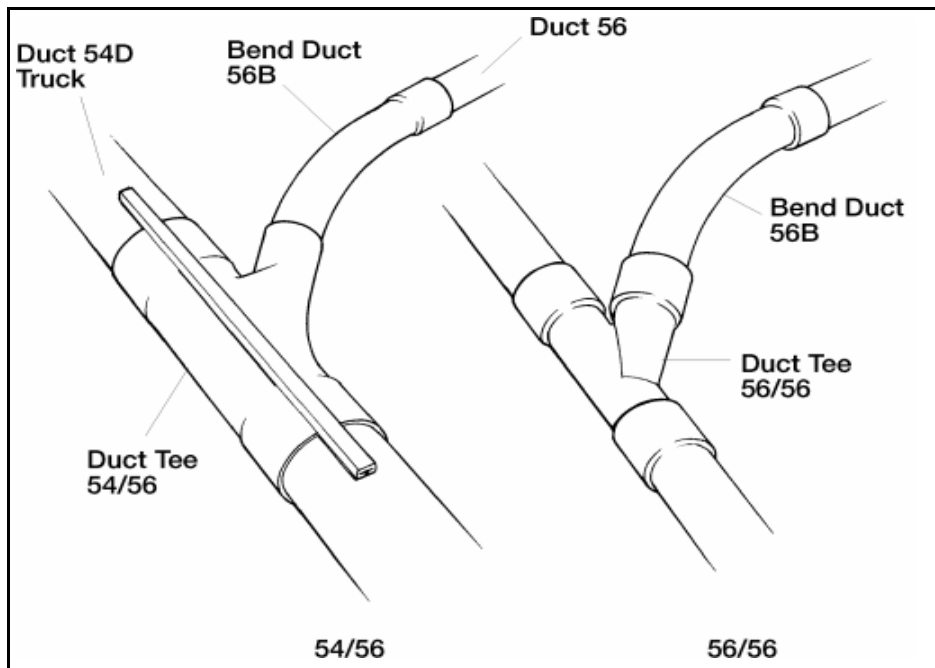
Duct Connecting...

This is used to connect the spigot ends of two dissimilar ducts.



Type	Item Code	Use
54D/56	95049	Connecting Duct 54D spigot to Duct 56 spigot
54D/70	95100	Connecting Duct 54D spigot to Duct 70 spigot
56/102	95032	Connecting Duct 56 spigot to Duct 102

Duct Tee...



Type	Item Code	Material	Decription
54/56	94976	Polypropylene	Duct 54D trunk, Duct 56 branch at 45°. Hinged to retrospectively fit onto 54D trunk.
56/56	95004	PVC-U	Duct 56 trunk, Duct 56 branch at 45°.